





SKU: BV4290

-  VOLT High Temperature Flanged Ball Valve
-  VOLT Hochtemperatur Flansch-Kugelhahn
-  VOLT Válvula de bola con bridas Alta Temperatura
-  VOLT Haute température Flanged Ball Valve

Valves[™]
O N L I N E

- 1/2" - 6" Stainless Steel Direct Mount Flanged Ball Valve for Steam
- 1/2" - 6" Edelstahl Direct Mount Flansch-Kugelhahn für Dampf
- 1/2" - 6" Válvula de bola con bridas de montaje de acero inoxidable directa de vapor
- 1/2" - 6" Acier inoxydable Montage direct Flanged Ball Valve pour vapeur



- **PN16/40 and ANSI 150 Flanged Options**
- **Full Bore**
- **TFM 4215® Ball Seats 25% Carbon Filled**
- **Grafoil Body Seal**
- **Temperature up to 195°C at 10 Bar Max.**
- **Lockable Handle**
- **Mounting Pad for Actuation**

DESCRIPTION

2-Pce Full Bore Flanged Direct Mount Ball Valve.

ASTM A351 CF8M 316 Stainless Steel construction, 316 Trim. TFM 4215® (25% Carbon Filled TFM). Grafoil Body Seals and Stem packing.

Ta-Luft self adjusting stem sealing. ISO 5211 Direct Mounting Pad and Square Stem for automation.

PN16/40 (1/2" - 2") PN16 2 1/2" - 6" (PN40 on request)

Design Rating: DIN3357 / 1,2, EN 12516-1

Wall Thickness: EN12516-1

Inspection & Testing: DIN3230/3, EN 12266

Face to Face Dimension:

DIN 3202 F-4 (1/2" - 4") and DIN 3202 F-5 (5" - 6")

ANSI 150

Design Standard: ASME B16.34, API 608

Wall Thickness: ASME B16.34

Inspection & Testing: API 598, API 6D

Face to Face Dimension:

ASME B16.10 F-4 (1/2" - 8")

Flanged Ball Valve for Steam PN16 & ANSI 150

with Direct Mount Top



Description

Volt 2 piece flanged ball valve with full port in CF8M 316 stainless steel. This valve offers high performance and can be used on slightly higher temperatures up to 12 bar because of the TFM 4215® (25% carbon filled) ball seats. Grafoil body seals and stem packing. In both PN16 or ANSI 150 options 1/2" - 2" PN16/40, 2 1/2"-6" PN16 but PN40 is Available. ANSI 150 1/2" - 8" with options of ANSI 300



Beschreibung

Volt 2 Stück Kugelhahn mit vollem Durchgang in CF8M 316 Edelstahl. Dieses Ventil bietet hohe Leistung und kann wegen der TFM 4215® (25% Kohle gefüllt) Kugel bietet Platz für bis zu 12 bar bei leicht höheren Temperaturen eingesetzt werden. Grafoil Gehäuse-dichtungen und Verpackung stammen . In beiden PN16 oder ANSI 150 Optionen. In beiden PN16 oder ANSI 150 Optionen 1/2" - 2" PN16 / 40 , 2 1/2" - 6" PN16 aber PN40 ist verfügbar . ANSI 150 1/2" - 8" mit den Optionen von ANSI 300



Descripción

2 voltios pieza de válvula de bola con bridas con plena puerto de acero inoxidable CF8M 316 . Esta válvula ofrece un alto rendimiento y se puede utilizar en temperaturas ligeramente más altas de hasta 12 bar a causa de la TFM 4215® (25 % con carga de carbón) asientos de las bolas . sellos del cuerpo Grafoil y tallo embalaje. En ambos PN16 o ANSI 150 opciones. En ambos PN16 o ANSI 150 opciones 1/2" - 2" PN16 / 40 , de 2 1/2"-6" PN16 PN40 , pero está disponible . ANSI 150 1/2" - 8" con opciones de ANSI 300



Description

Volt 2 pièce vanne à boisseau sphérique à bride avec port complet en acier inoxydable CF8M 316 . Cette vanne offre de hautes performances et peut être utilisé sur des températures légèrement plus élevées jusqu'à 12 bars en raison de la TFM 4215® (25 % de carbone rempli) des sièges à billes . Grafoil joints de corps et de la tige emballage. Dans les deux PN16 ou ANSI 150 Options. Dans les deux PN16 ou ANSI 150 Options 1/2" - 2" PN16 / 40 , 2 1/2"-6" PN16 PN40 , mais est disponible . ANSI 150 1/2" - 8" avec des options de ANSI 300

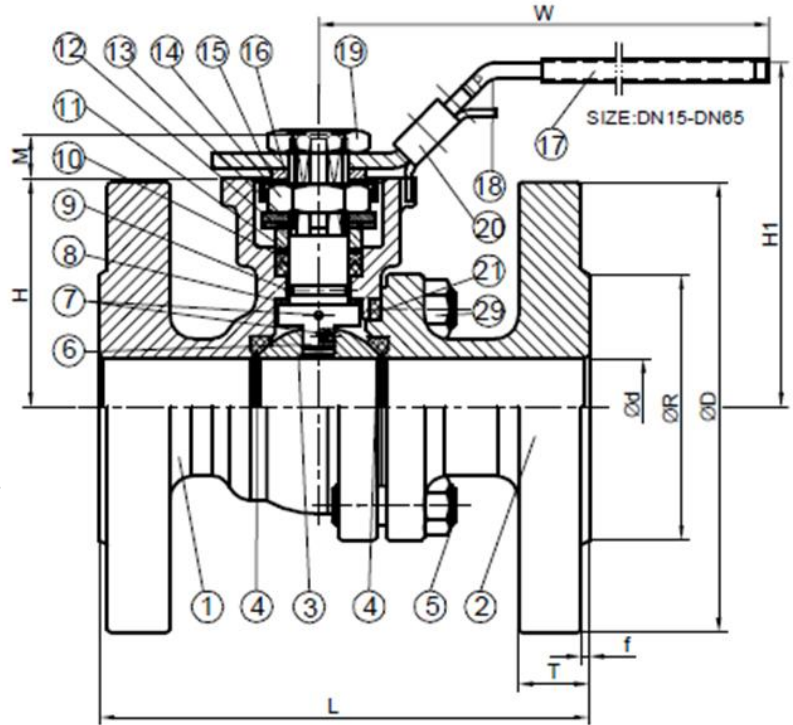
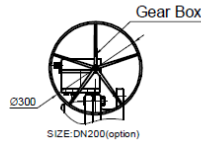
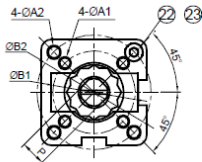


VOLT High Temperature Flanged Ball Valve
 VOLT Hochtemperatur Flansch-Kugelhahn
 VOLT Válvula de bola con bridas Alta Temperatura
 VOLT Haute température Flanged Ball Valve

ValvesTM
ONLINE

PN16 Flanged Ball Valve

- 1/2" - 6"
- Direct Mount Actuation Pad
- Low Torque
- TFM 4215® Ball Seats 25% Carbon Filled
- Temperature up to 195°C at 10 Bar Max
- PN16/40 1/2" - 2"
- PN16 2 1/2" - 6"



Dimensions for PN16 and PN40

Size	PN	Ød	L	*L	R	D	C	f	T	N	h	H	H1	M	P	A1	A2	B1	B2	W	Torque
1/2"	10.0	15	115	130	45	95	65	2	16	4	14	48	78	9	9	6	6	36	42	145	5nm
3/4"	16.0	20	120	150	58	105	75	2	18	4	14	53	84	9	9	6	6	36	42	145	6nm
1"		25	125	160	68	115	85	2	18	4	14	58.5	89.3	11	11	6	7	42	50	175	10nm
1 1/4"	25.0	32	130	180	78	140	100	2	18	4	18	71	101	11	11	6	7	42	50	175	13nm
1 1/2"		38	140	200	88	150	110	3	18	4	18	76	107	14	14	7	9	50	70	190	19nm
2"	40.0	50	150	230	102	165	125	3	20	4	18	85	116	14	14	7	9	50	70	190	28.5nm
		10/16 25/40	63.5	170	290	122	185	145	3	22	8	18	101.5 107	150 154.8	17	17	9	11	70	102	265
3"	10/16 25/40	76	180	310	138	200	160	3	20	8	18	111.5 117	176 181.5	17	17	9	11	70	102	300	72nm
									24												
4"	10/16 25/40	100	190	350	158	220	180	3	20	8	18	140	205	22	22	non	11	non	102	400	110nm
					162	235	190		24												
5"	10/16 25/40	125	325	400	188	250	210	3	22	8	18	183	255.5	27	27	14	non	125	non	600	208.5nm
					270	220	26														
6"	10/16 25/40	150	350	450	212	285	240	3	22	8	22	204	275	27	27	14	non	125	non	800	306nm
					218	300	250		26												
8"	10	200	400	550	268	340	295	3	24	8	22	252.5	328	27	27	14	non	125	non	800	430nm
	16																				
	25																				
	40																				

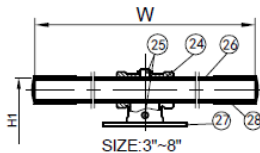
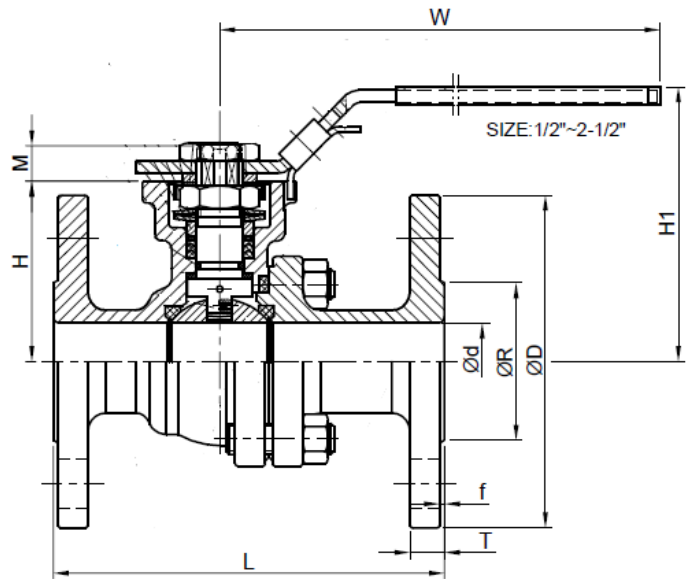
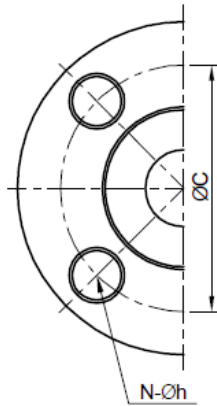
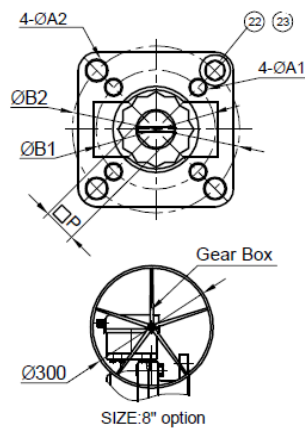


VOLT High Temperature Flanged Ball Valve
 VOLT Hochtemperatur Flanschkuigelhahn
 VOLT Válvula de bola con bridas Alta Temperatura
 VOLT Haute température Flanged Ball Valve

Valves[™]
ONLINE

ANSI 150 Flanged Ball Valve

- 1/2" - 8"
- Direct Mount Actuation Pad
- Low Torque
- TFM 4215® Ball Seats 25% Carbon Filled
- Temperature up to 195°C at 10 Bar Max



ANSI 150

Design Standard: ASME B16.34, API 608
 Wall Thickness: ASME B16.34
 Inspection & Testing: API 598, API 6D
 Face to Face Dimension:
 ASME B16.10 F-4 (1/2" - 8")

Dimensions for ANSI 150

Size	Ød	L	ØR	ØD	ØC	T	f	N	Øh	H	H1	M	□P	ØA1	ØA2	ØB1	ØB2	W	Torque
1/2"	15	108	35	89	60.5	10.1	2	4	16	48	78	9	9	6	6	36	42	145	5nm
3/4"	20	117	43	98.6	70	10.9	2	4	16	53	84	9	9	6	7	36	50	145	6nm
1"	25	127	51	108	79.2	11.6	2	4	16	58.5	89.3	11	11	6	7	42	50	175	10nm
1 1/4"	32	140	63.5	117	88.9	13.1	2	4	16	71	101	11	11	6	9	42	70	175	13nm
1 1/2"	38	165	73.2	127	98.6	14.6	2	4	16	76	107	14	14	7	9	50	70	190	19nm
2"	50	178	92	152.5	120.7	16.3	2	4	19	81	112	14	14	7	9	50	70	190	28.5nm
2 1/2"	63	190	104.7	177.8	139.7	17.9	2	4	19	101.5	150	17	17	9	11	70	102	265	45nm
3"	76	203	127	190.5	152.4	19.5	2	4	19	111.5	176	17	17	9	11	70	102	300	72nm
4"	100	229	157	228.6	190.5	24.3	2	8	19	140	204	22	22	non	11	non	102	400	110nm
5"	125	356	186	254	216	24.4	2	8	22.3	183	255.5	27	27	14	non	125	non	600	208.5nm
6"	150	394	216	279.4	241.3	25.8	2	8	22.3	203	275	27	27	14	non	125	non	800	306nm
8"	200	457	270	342.9	298.5	28.9	2	8	22.3	252.5	328	27	27	14	non	125	non	800	430nm



VOLT High Temperature Flanged Ball Valve
 VOLT Hochtemperatur Flanschkuhgelhahn
 VOLT Válvula de bola con bridas Alta Temperatura
 VOLT Haute température Flanged Ball Valve

Valves[™]
 ONLINE

PN16 / ANSI 150 Flanged Ball Valve

Materials

No.	PART NAME	MATERIAL		
1	BODY	1.4408	1.4308	1.0619
2	END CAP	1.4408	1.4308	1.0619
3	Ball	1.4408	1.4308	
4	Ball Seat	TFM 4215		
5	Bolting	A2-70		
6	Stem	SUS316	SUS304	
7	Anti Static	SUS316	SUS304	
8	Thrust Washer	TFM 4215		
9	O-Ring	FKM(VITON)		
10	Stem Packing	GRAFOIL		
11	Bushing	50%SS+50%PTFE/SUS304*		
12	Gland	SUS316		
13	Belleville Washer	SUS301		
14	Stem Nut	A2-70		
15	Stop-lock-cap	SUS304		
16	Handle Gland	SUS304		
17	Handle Sleeve (DN15 - DN65)	VINYL PLASTIC		
18	Handle (DN15 - DN65)	SUS304		
19	Handle Nut (DN15 - DN65)	A2-70		
20	Lock Device (DN15 - DN65)	SUS304		
21	Body Gasket	GRAFOIL*		
22	Stop Bolt	A2-70		
23	Stop Nut	A2-70		
24	Set Screwed (DN80 - DN200)	A2-70		
25	Pipe Handle (DN80 - DN200)	A53+PLATED Zn		
26	Handle Adapter (DN80 - DN200)	A351-CF8		
27	Triangle Stopper (DN80 - DN200)	SUS304		
28	Handle Sleeve (DN80 - DN200)	VINYL PLASTIC		
29	Bolt Nut	A2-70		

Seat Information

Seals	Material
Ball Seats	TFM 4215 [®] (25% Carbon filled TFM)
Body Seals	Grafoil
Stem packing	Grafoil

EA4290



PA4290



Easy to Actuate both
 Pneumatic and Electric also
 available in screwed or weld
 ends.



VOLT High Temperature Flanged Ball Valve
 VOLT Hochtemperatur Flanschkuigelhahn
 VOLT Válvula de bola con bridas Alta Temperatura
 VOLT Haute température Flanged Ball Valve

Valves[™]
 ONLINE

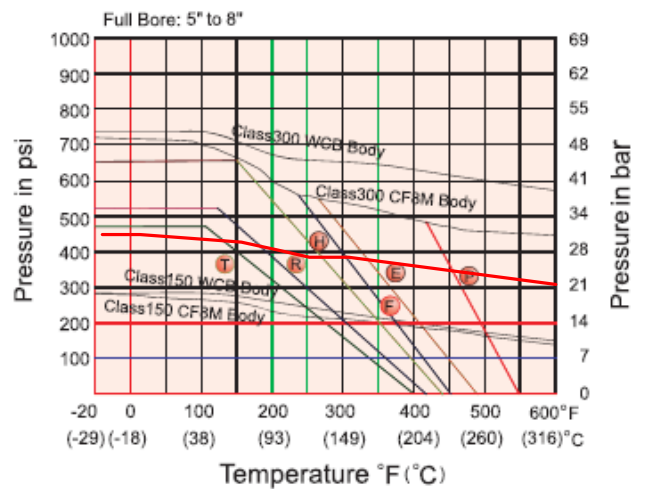
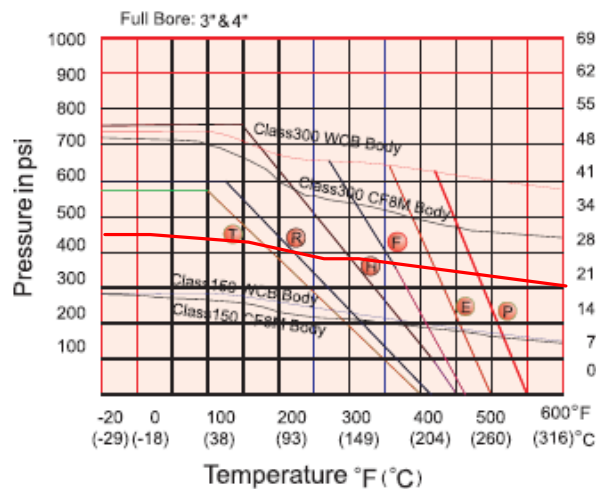
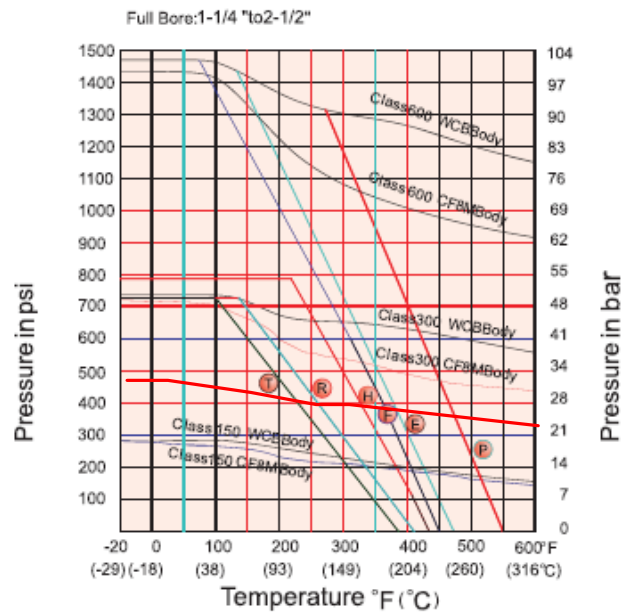
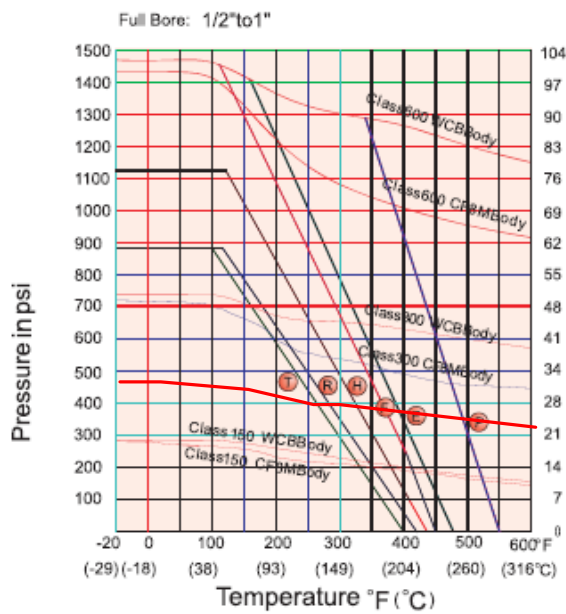
PN16 / ANSI 150 Flanged Ball Valve

PRESSURE / TEMPERATURE

Floating Ball Valve Class 150 and PN16

The pressure – temperature data of ball valves are determined not only by valve shell materials, but also by sealing materials used for ball seats, gland packings and gaskets.

F = TFM 4215 with Body Rating CF8m
Use Class 150 CF8M body



The information shown is a guide only. Please contact our technical staff for specific temperature / pressure capabilities.