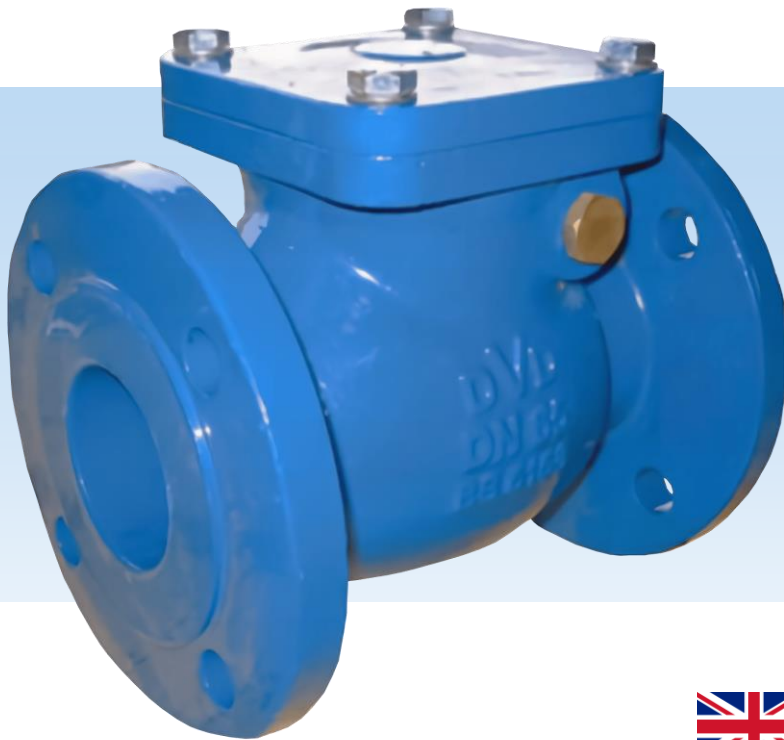


CV5181

Valves
ONLINE



Ductile Iron Check Valve Metal Seat – Flanged PN16

- PN16 Rated
- -10°C to 70°C
- Fluids: Water
- Easy to Install
- WRAS Components

Description:

A quality, robust and virtually maintenance free swing check valve. Environmentally friendly, with components complying to WRAS Standards. The valve is flanged to PN16 EN1092. This economical check valve has a ductile iron body and swing with metal seat. Particularly suited for water applications. Can be fitted in the horizontal position or in the vertical position with the flow going upwards.

- Cold water plant
- Neutral Fluids
- HVAC applications



Description

Flanged PN16 epoxy coated Ductile Iron Swing Check Valve and metal Seat. Valve conforms to BS5153 The valve has a low pressure drop and is full bore.

Temperature -10°C to 70°C
PN16 Rated



Beschreibung

Geflanshtes PN16-epoxidbeschichtetes Rückschlagventil aus duktilem Eisen und Metallsitz. Ventil entspricht BS5153 Das Ventil hat einen geringen Druckabfall und hat vollen Durchgang.

Temperatur -10 °C bis 70 °C
PN16-bewertet



Descripción

Válvula de retención oscilante de hierro dúctil con brida PN16 recubierta de epoxi y asiento de metal. La válvula cumple con BS5153 La válvula tiene una caída de presión baja y es de paso total.

Temperatura -10°C a 70°C
PN16 Nominal



Description

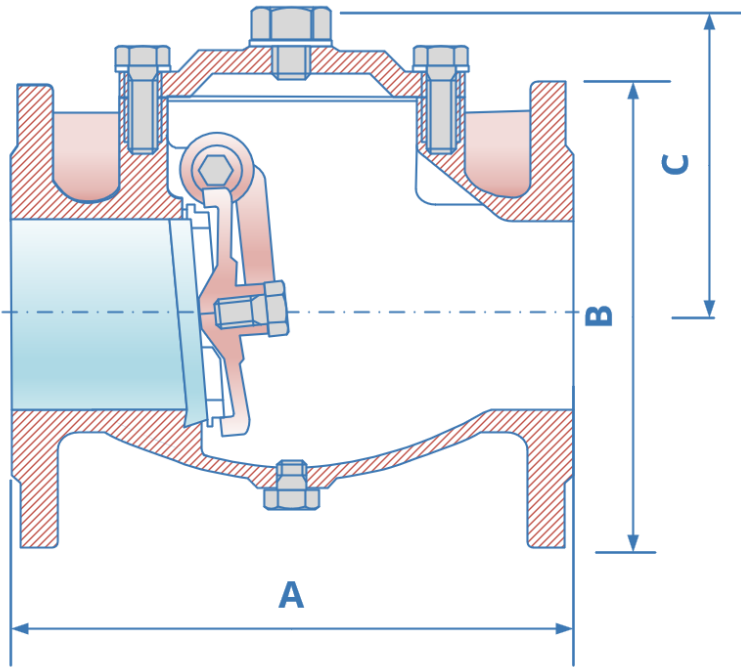
Clapet anti-retour à battant en fonte ductile à revêtement époxy PN16 et siège en métal. Vanne conforme à BS5153 La vanne a une faible chute de pression et est à passage intégral.

Température -10 °C à 70 °C
PN16 nominale

WRAS
APPROVED
PRODUCT
Components

All information is sourced from our manufacturer's data and is intended for guidance only - Valves Online can accept no liability for changes, omissions or errors.

CV5181



Material List

Item	Description	Material
1	Body	Ductile Iron
2	Body Seat Ring	Copper Alloy*
3	Door Seat Ring	Copper Alloy*
4	Door	Ductile Iron
5	Bolt	Stainless Steel
6	Washer	Stainless Steel
7	Hanger	Ductile Iron
8	Gasket	EPDM
9	Inspection Cover	Ductile Iron
10	Washer	Stainless Steel
11	Bolt	Stainless Steel
12	Gasket	EPDM
13	Air Release Plug	Stainless Steel
14	Std Bush Nut	Copper Alloy*
15	Bush Seal	EPDM
16	Spindle	Stainless Steel
17	O Ring	EPDM
18	LW Bush Nut	Copper Alloy*
19	Gasket	PTFE
20	Drain Plug	Stainless Steel
21	Lever Arm	Mild Steel
22	Nut	Stainless Steel
23	Spring Washer	Stainless Steel
24	Washer	Stainless Steel
25	Counter Weight	Ductile Iron
26	Bolt	Stainless Steel
27	Nut	Stainless Steel
28	Bolt	Stainless Steel

Dimensions

Dimensions						Weight Kg
DN	Size	A	B	C	D	Standard
50	2"	203	165	135	230	14
80	3"	211	200	132	235	20
100	4"	292	220	140	268	26
125	5"	330	250	170	300	38
150	6"	356	285	186	313	50
200	8"	495	340	218	378	96

Pressure / Temperature

Pressure	PN16
Temperature	-10°C to 70°C



Components

All information is sourced from our manufacturer's data and is intended for guidance only - Valves Online can accept no liability for changes, omissions or errors.