



2/2 way NC Direct Acting Steam Solenoid for High Temperatures – 180°C

- Screwed BSPP
- Sizes from 3/8" - 1"
- Normally Closed
- Direct Acting
- Supplied with Plug Connector
- Continuous Duty 100%
- Pressure 0 – 10 Bar



Description

A Direct Acting steam solenoid valve suitable for hot oils, air and steam. The valve is 2/2 way normally closed function, offered in a bronze body with PTFE and graphite impregnated seats. Sizes range from 3/8" - 1" and are all available in voltages of 24 VDC (fitted with rectifier connector), 24VAC, 110 VAC and 230 VAC.

0 – 10 Bar rated for steam

0 – 8 Bar rated for water

0 – 7 Bar rated for oil

The valve is supplied with cable plug and when fitted it is IP65 rated. The unit is 100% continuously rated and allows media viscosity of up to 50 centipoise.

Typical applications include heating, sterilisation and on autoclaves.

- **Media: Vacuum, air, water, steam**
- Pressure range: 0 to 10 bar max
- Media temperature: -20°C +180°C max
- Ambient temperature: -20° to +50° Cmax
- Media viscosity: 50 centistokes max
- Mounting: upright (+/- 15° from vertical)
- Body: Bronze BC6
- Seal & Gaskets: PTFE
- Graphite impregnated PTFE



Description

Direct acting solenoid valve for use with hot oils, gases and liquids. Applications include Heating, Sterilising and auto-claves. Body manufactured in bronze and piston in stainless steel with PTFE seals. Valve supplied complete with cable connector.

Function Normally closed, sizes 3/8" up to 1"

Mounting position Vertical.



Beschreibung

Direktgesteuertes Magnetventil für den Einsatz mit heißen Ölen, Gasen und Flüssigkeiten. Zu den Anwendungen gehören Erhitzen, Sterilisieren und Autoklavieren. Gehäuse aus Bronze und Kolben aus Edelstahl mit PTFE-Dichtungen. Ventil wird komplett mit Kabelstecker geliefert.

Funktion Öffner, Größen 1/2" bis 1"

Einbaulage Vertikal.



Descripción

Electroválvula de acción directa para uso con aceites calientes, gases y líquidos. Las aplicaciones incluyen calefacción, esterilización y autoclaves. Cuerpo fabricado en bronce y pistón en acero inoxidable con juntas de PTFE. Válvula suministrada completa con conector de cable.

Función Normalmente cerrado, tamaños 1/2" hasta 1"

Posición de montaje Vertical.



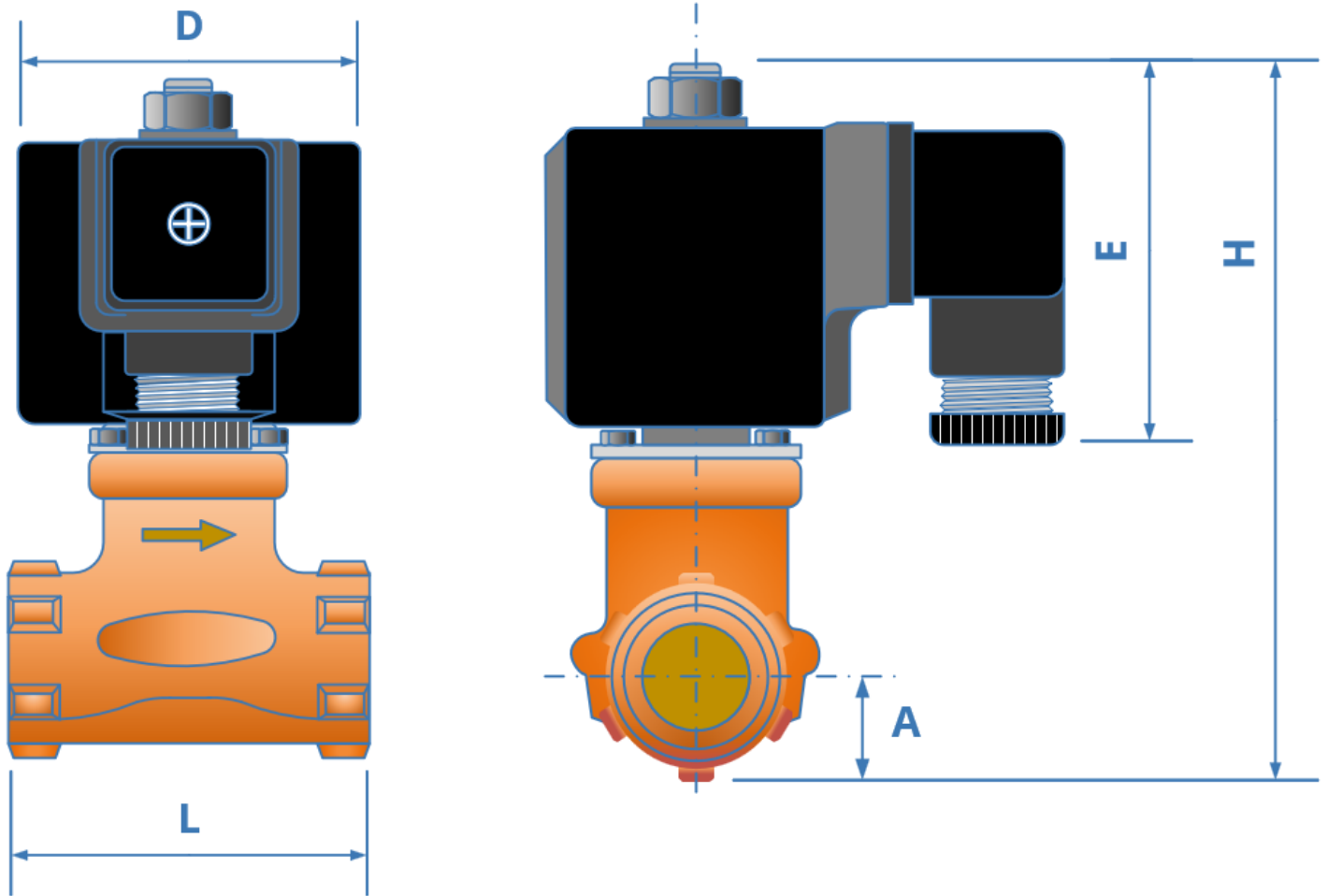
Description

Électrovanne à action directe pour une utilisation avec des huiles chaudes, des gaz et des liquides. Les applications incluent le chauffage, la stérilisation et les autoclaves. Corps fabriqué en bronze et piston en acier inoxydable avec joints PTFE. Vanne livrée complète avec connecteur de câble.

Fonction Normalement fermé, tailles 1/2" jusqu'à 1"

Position de montage Verticale.

SV4285



Electrical Data

Voltage (-10% + 10%) Continuoud Duty Rating 100%	Coil	Power Consumption		Insulation Class	IP Rating With Connector
		Inrush	Hold		
110 or 230 (50 or 60 Hz)	M17	35VA	26VA	H 180°C	IP65 with connector
24 (DC)		19 Watts			

Seal Material

180°C	PTFE with Graphite
-------	-----------------------

Body Material

Bronze	BC6
--------	-----

SPECIFICATION

PORT	ORIFICE	Kv Ltr/min	Pressure Rating (Bar)				Weight Kg	Dimensions					
			Min	Max. Steam	Max Air/Wat	Max. Oil		L	H	A	B	C	D
3/8"	10	21.7	0	10	8	7	0.85	53	90	13	24	56	62
1/2"	14	42.9					0.95	63	120	17	30		
3/4"	19	70.7					1.4	74	128	19	33		
1"	25	88.66					1.7	88	133	24	41		

IP65 Coil & PG11 DIN43650A Connector
Flanged and other custom made options available upon request

All information is sourced from our manufacturer's data and is intended for guidance only - Valves Online can accept no liability for changes, omissions or errors.