



## Flanged 2 - Piece Ball Valve.

- Stainless or Carbon Steel Ball Valve
- 1/4" to 4" (DN15-DN100)
- Body ASTM A351 CF8M / WCB
- PTFE Seat and Seals
- Flanged PN16 / ANSI 150#
- Direct Mount with Lockable Lever
- Anti-Static Device
- Fully Maintainable

The VOLT 2 Piece 2/2 way ball valve is used to isolate process pipelines. The valve is a well proven ball valve designed to industry Standards. It comprises of an investment cast body in stainless or carbon steel with PTFE sealing. The valve finds wide use in fluid media while offering higher cycle life with reduced torque. The self-adjusting packing gland consists of dual sealing with an alignment collar for superior tightness. The valve is ideally suited for open/closed operation and Isolation. Maintenance, of this valve allows the removal the of all seals with just four bolts. The Valve is full bore and offers the Kv and pressure drop similar to that of an open line. The valve has seat options of PTFE, TFM1600, TFM4215, PTFE+50% filled Stainless Steel and Peek.

### Design Advantages

*An economical ball valve that offers high performance that's usually associated with much more expensive valves.*

#### Blow - out proof stem

*Prevents stem blowing out for maximum safety.*

#### Easy in line maintenance

#### ATEX Approved

#### Repair Kits Readily Available



#### Description

This valve is the most popular valves in our flanged range offering reliability and cost effectiveness. ASME150/PN16 flanged full bore, 316 stainless and WCB steel body with ISO Top works. Lockable lever operated and PTFE seats. Sizes range from 1/2" up to 4".



#### Beschreibung

Dieses Ventil ist die beliebtesten Ventile in unserem Flansch-Sortiment mit Zuverlässigkeit und Wirtschaftlichkeit. ASME150 / PN16 Flansch-Vollbohrung, 316 Edelstahl und WCB Stahlkörper mit ISO Top Werk. Abschließbarer Hebel und PTFE-Sitze. Größen reichen von 1/2 "bis zu 4".



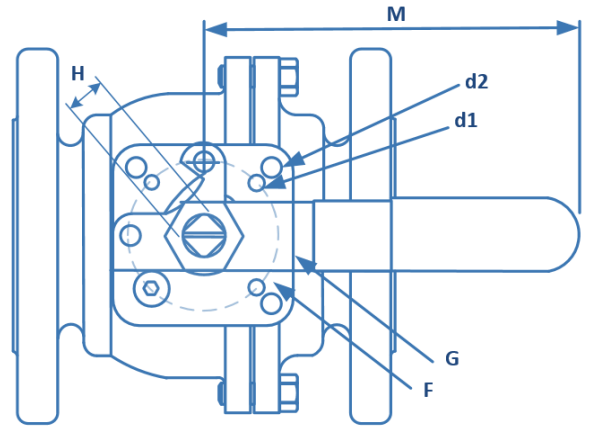
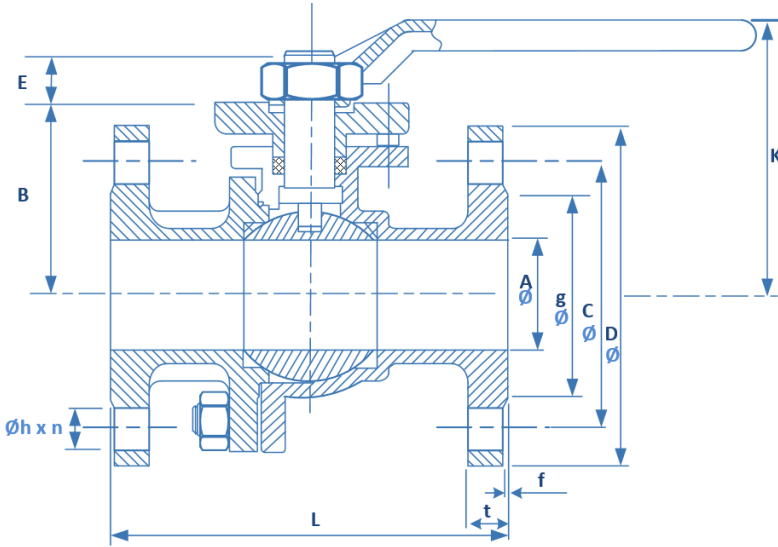
#### Descripción

Esta válvula es la válvula más popular en nuestra gama de bridas que ofrece fiabilidad y rentabilidad. ASME150 / PN16 con brida de diámetro interior, acero inoxidable 316 y cuerpo de acero WCB con top ISO funciona. Palanca bloqueable accionada y asientos de PTFE. Los tamaños van desde 1/2 "hasta 4".



#### Description

Cette vanne est la valve la plus populaire dans notre gamme à brides offrant une fiabilité et une rentabilité. ASME150 / PN16 à chanière pleine perforée, corps en acier inoxydable 316 et WCB avec travaux ISO Top. Siège verrouillable et sièges en PTFE. Les tailles vont de 1/2 "à 4".



**Dimensions PN16 (mm)**

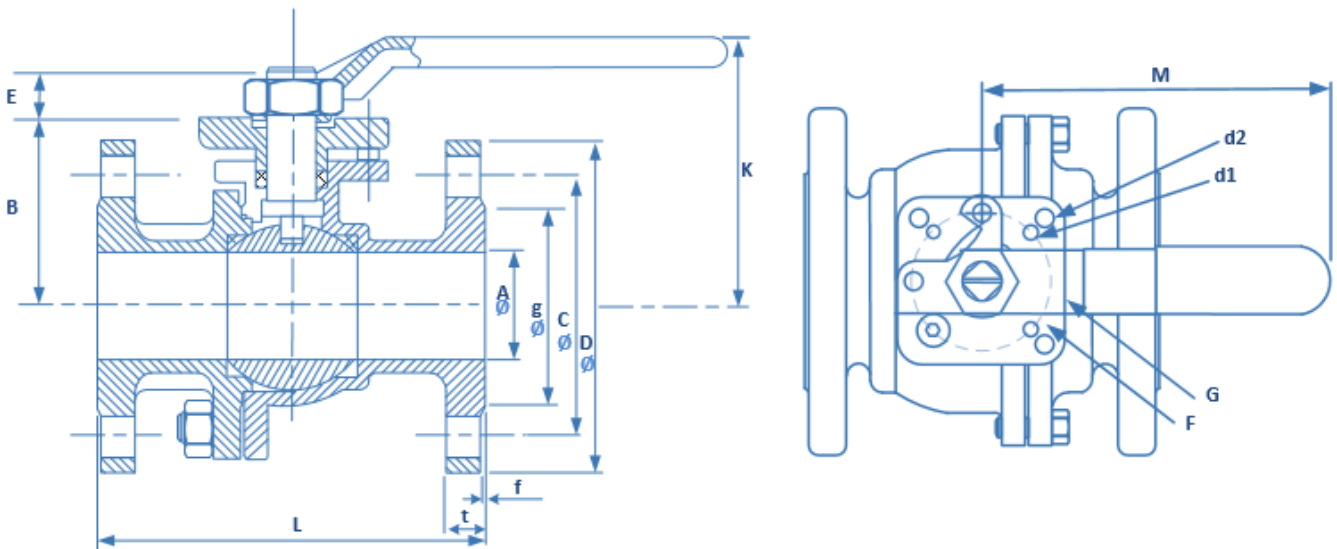
Size	A	B	E	L	H	K	M	F	G	d1	d2
1/2"	15	48	11	115	9	80	130	36	42	6	6
3/4"	20	53	11	120	9	80	130	36	42	6	6
1"	25	59	14	125	11	90	165	42	50	6	7
1 1/4"	32	71	14	130	11	102	165	42	50	6	7
1 1/2"	38	76	18	140	14	110	205	50	70	7	9.2
2"	50	85	18	150	14	120	205	50	70	7	9.2
2 1/2"	65	93.5	23	170	17	140	300	70	102	9.2	11.4
3"	80	103	23	180	17	150	340	70	102	9.2	11.4
4"	100	132	25	190	22	180	420	102	125	11.4	13.5

**Flange Dimensions PN16 (mm)**

Size	D	C	h	N	t	g	f	Wt (Kg)
1/2"	95	65	14	4	14	45	2	2.13
3/4"	105	75	14	4	16	58	2	2.85
1"	115	85	14	4	16	68	2	3.72
1 1/4"	140	100	18	4	16	78	2	5.32
1 1/2"	150	110	18	4	16	88	3	6.96
2"	165	125	18	4	18	102	3	9.68
2 1/2"	185	145	18	4	18	122	3	13.79
3"	200	160	18	8	20	138	3	17.53
4"	220	180	18	8	20	158	3	25.62



All information is sourced from our manufacturer's data and is intended for guidance only - ValvesOnline can accept no liability for changes, omissions or errors.



### Dimensions ANSI 150 (mm)

Size	A	B	E	L	H	K	M	F	G	d1	d2
1/2"	15	48	11	108	9	80	130	36	42	6	6
3/4"	20	53	11	117	9	80	130	36	42	6	6
1"	25	59	14	127	11	90	165	42	50	6	7
1 1/4"	32	71	14	140	11	102	165	42	50	6	7
1 1/2"	38	76	18	165	14	110	205	50	70	7	9.2
2"	50	85	18	178	14	120	205	50	70	7	9.2
2 1/2"	65	93.5	23	190	17	140	300	70	102	9.2	11.4
3"	80	103	23	203	17	150	340	70	102	9.2	11.4
4"	100	132	25	229	22	180	420	102	125	11.4	13.5

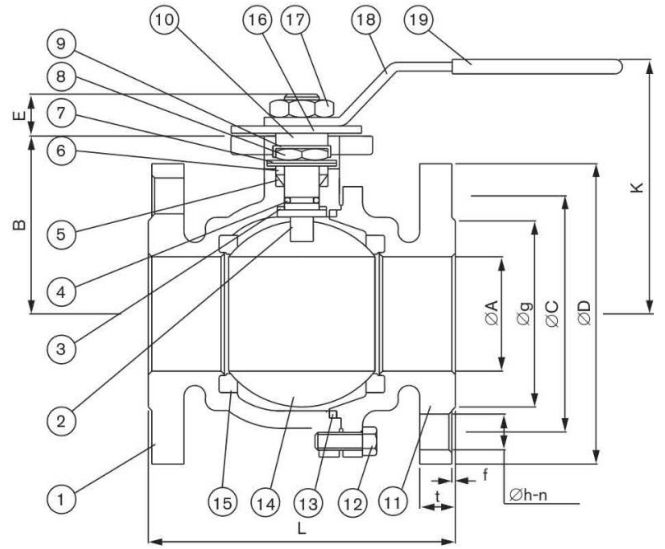
### Flange Dimensions ANSI 150 (mm)

Size	D	C	h	N	t	g	f	Wt (Kg)
1/2"	89	60.5	16	4	11.5	35	1.6	1.73
3/4"	98	70	16	4	11.5	43	1.6	2.13
1"	108	79.5	16	4	11.5	51	1.6	2.92
1 1/4"	117	89	16	4	12.7	64	1.6	4.02
1 1/2"	127	98.5	16	4	14.3	73	1.6	5.9
2"	152	121	19	4	15.9	92	1.6	8.72
2 1/2"	178	140	19	4	17.8	105	1.6	13.33
3"	190	153	19	4	19.1	127	1.6	17.03
4"	229	191	19	8	24	157	1.6	28.98



**Material List**

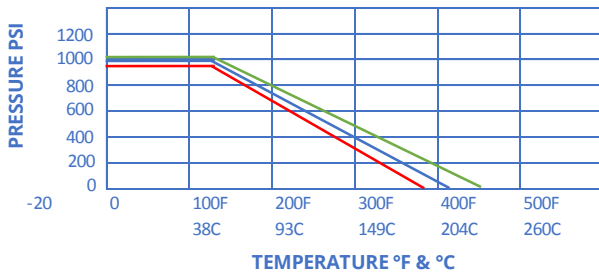
NO.	Parts	Materials
1	Body	CF8M/WCB
2	Stem	CF8M
3	Thrust washer	RPTFE
4	O Ring	PTFE
5	Stem packing	PTFE
6	Gland	SUS304
7	Disc Washer	SUS301
8	Stem Nut	SUS304
9	Nut Stop	SUS304
10	Washer	SUS304
11	Flanged End	CF8M/WCB
12	Bolt	SUS304
13	Gasket	PTFE
14	Ball	SUS316
15	Ball seat	PTFE
16	Stopper Plate	SUS304
17	Handle Nut	SUS304
18	Handle	SUS304
19	Sleeve	PLASTIC
20	Stop Pin	SUS304
21	Set Bolt	SUS304
22	Lever Head	CF8M
23	Pipe Handle	STEEL PIPE



Technical Data	ANSI 150	PN16
Valve Size	1/2"-4" (DN15-DN100)	
Design	ASME B16.34	EN 12516-1
Body material	ASTM A351 CF8M	DIN 1.4408
	ASTM A216 WCB	DIN 1.0619
Ball seal material	PTFE	
Face to Face	ASME B16.10	DIN 3202 F4
Flange Connection	ASME B16.50	DIN 2633
Pressure Rating	275PSI	16 Bar
Mounting	ISO 5211 Direct Mount	
Seat	PTFE	

**Pressure - Temperature Limits**

SIZE 1/4" - 2"



— **PTFE**
— **RPTFE  
PTFE + 15%  
Glass**
— **TFM 1600**

**PTFE Seats  
Temperature from  
-20 up to 180°C**

All information is sourced from our manufacturer's data and is intended for guidance only- Valves Online can accept no liability for changes, omissions or errors.